

FAULT ANALYSIS OF 3 PHASE SYSTEM IN MATLAB

Muskan Tete¹, Nikhil Kumar Ahirwar², Ganesh Ram Ratnakar³, Vikas Chandra⁴, Mohini Moitra Bhaduri⁵, Arun Kumar Jain

^{1,2} – B.TECH Scholar Chouksey Engineering College, Bilaspur

^{3,4,5} – Assistant Professor, Chouksey Engineering College, Bilaspur

Department of Electrical & Electronics Engineering

Abstract - The analysis of faults in a three-phase system is crucial for ensuring the stability and reliability of electrical power systems. This study explores the fault detection and analysis in a three-phase electrical system using MATLAB, focusing on both balanced and unbalanced faults. A three-phase system is a common setup for transmitting electrical power, and faults such as short circuits, open circuits, and ground faults can occur, significantly affecting the performance of the system. MATLAB, with its powerful simulation and computational tools, provides an effective platform for modeling and analyzing various fault scenarios in a three-phase system, helping to identify fault locations and understand the impact of these faults on system parameters.

Key Words: Fault analysis, Fault detection, Line-to-line fault, Fault clearance time, Electrical grid resilience.

1. INTRODUCTION

The reliability and stability of electrical power systems are essential for maintaining consistent energy supply, and understanding the impact of faults is a key aspect of this. In three-phase systems, which are widely used for the transmission and distribution of electrical power, faults such as short circuits, line-to-line, and line-to-ground failures can cause significant disruptions. These faults not only affect the normal operation of power systems but also pose risks to system components like transformers, generators, and circuit breakers. Analyzing these faults and understanding their effects on system performance is vital for designing protective measures and improving overall system reliability. MATLAB, with its robust simulation and modeling capabilities, offers an effective platform for studying fault behavior and evaluating system responses under various fault conditions.

This study focuses on performing fault analysis of a three-phase power system using MATLAB and its Simulink toolbox. By simulating different fault scenarios, such as line-to-line, line-to-ground, and three-phase faults, the research aims to explore the transient behavior of the system under fault conditions. The simulation results provide insights into the voltage and current variations during faults, which are essential for designing protective systems, like relays and circuit breakers, that can quickly detect and isolate faults. This approach not only enhances understanding of fault

dynamics but also assists in the development of strategies for minimizing the impact of faults on power system operations and improving system protection and stability.

1.1 Fault Modeling in Three-Phase Systems

A three-phase power system consists of three alternating currents that are offset by 120 degrees. These systems are designed to be balanced under normal operating conditions, but faults can cause an imbalance, leading to significant system disturbances. The most common types of faults in three-phase systems include:

- i. **Line-to-Ground Fault (L-G):** Occurs when one of the phases comes into contact with the ground or neutral, causing an imbalance in the system.
- ii. **Line-to-Line Fault (L-L):** Occurs when two phases come into direct contact with each other, resulting in a high fault current that can damage system components.
- iii. **Three-Phase Fault (L-L-L):** Involves a fault where all three phases are shorted together, leading to severe system disturbances, but it is typically easier to clear due to its symmetrical nature.

In MATLAB/Simulink, these faults can be modeled by altering the system's impedance to simulate the fault condition. For example, a line-to-ground fault can be modeled by connecting a resistance between one phase and the ground. Similarly, line-to-line faults are simulated by modifying the impedance between two phases. These faults are then introduced into the system during simulation to observe the resulting voltage and current waveforms.

1.2 Simulation Setup and Methodology

The three-phase system is model using the Simulink environment, where components such as voltage sources, transmission lines, loads, and generators are represented as blocks within the simulation. For fault analysis, fault sources are introduced into the system model at different locations and under different conditions. The key parameters being analyzed include The methodology for the real-time fault analysis project in three-phase transmission systems encompasses several key stages. Initially, the project begins

with comprehensive system design and requirement analysis, defining objectives, scope, and necessary components. This includes strategically deploying sensors at critical points along transmission lines and substations to capture essential data. Concurrently, a robust data acquisition system is established to collect and manage the incoming data streams effectively. Following this, appropriate fault detection algorithms are selected or developed, leveraging techniques such as impedance-based methods, wavelet transforms, and machine learning to detect anomalies indicative of faults. Subsequently, fault classification algorithms are devised to categorize detected faults based on their characteristics and severity, enabling prioritization of response actions

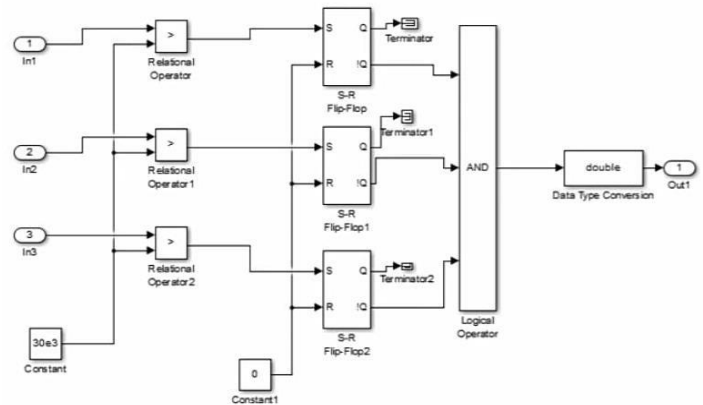
2. PROTECTION MECHANISMS

Protection in a 3-phase system is crucial to ensure the safety, reliability, and stability of electrical installations. Various protection mechanisms are used to detect and isolate faults in the system before they cause damage to equipment or pose hazards to people. Below are some key protection elements used in 3-phase systems:

- **1. Overcurrent Protection (OC)**
- **Purpose:** Protects the system from excessive currents that could damage equipment, such as motors or transformers, due to short circuits or overloads.
- **Components:** Overcurrent relays (OCR) are typically used. These relays trip the circuit breaker when the current exceeds a set threshold for a predefined time period.
- **Types:**
 - **Instantaneous Overcurrent Protection:** Triggers a trip when the current exceeds a defined level immediately.
 - **Time-Delayed Overcurrent Protection:** Allows time for temporary current surges (like motor starting) before tripping.
- **2. Differential Protection**
- **Purpose:** Used to protect transformers, generators, and other critical equipment from internal faults, such as short circuits within the equipment.
- **Components:** A differential relay compares the current entering and exiting the protected zone. Any difference indicates a fault (e.g., a short circuit inside the transformer).
- **Application:** Common in transformer protection where the current on the primary side and secondary side is compared.
- **3. Earth Fault Protection**
- **Purpose:** Protects against faults that occur between one phase and the earth (ground), which can cause electrical shocks, fires, and equipment damage.

- **Components:** Earth fault relays or residual current devices (RCDs) detect imbalances between the phases and earth.
- **Application:** Particularly important in systems with solidly grounded neutral conductors.

Relay



3 COMPONENTS

3.1 Three Phase Source

The Three-Phase Source block implements a balanced three-phase voltage source with an internal R-L impedance. The block connects the three voltage sources in Y with a neutral connection that you can internally ground or make accessible. You can specify the source internal resistance and inductance either directly by entering R and L values or indirectly by specifying the source inductive short-circuit level and X/R ratio. Irjet template sample paragraph, Irjet template sample paragraph .Irjet template sample paragraph. Irjet template sample paragraph

3.2. Demux

The Demux block extracts the components of an input signal and outputs the components as separate signals. The block accepts either vector (1-D array) signals or bus signals (see Signal Buses in Using Simulink for more information). The Number of outputs parameter allows you to specify the number and, optionally, the dimensionality of each output port. If you do not specify the dimensionality of the outputs, the block determines the dimensionality of the outputs for you

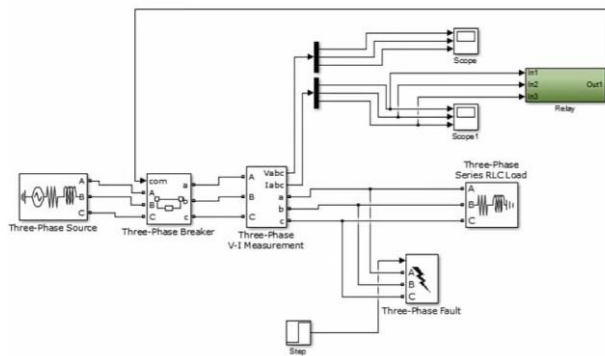


Fig -1: Simulation Diagram of Fault Analysis Of Three Phase System

5. Summary

The main objective of this dissertation is to analyze the fault and improve the voltage stability and power flow control in power system network. When different types of fault occurs in power system then in the process of transmission line fault analysis, determination of bus voltage and the rms line current are possible. While consulting with the power system the terms bus voltage and rms current of line are very important. The circuit breakers and its rating is depends on triple line fault. The reason behind is that the triple line fault current is very high as compare to other fault current. Hence by using MATLAB simulation in computer, the analysis of transmission line fault can be easily carried out. The main purpose of this paper is to study the general fault type which is Unbalance faults of transmission line in the power system..

Output Graph

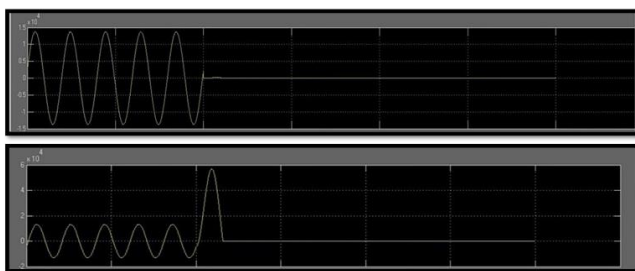


Chart -1: Balanced Condition

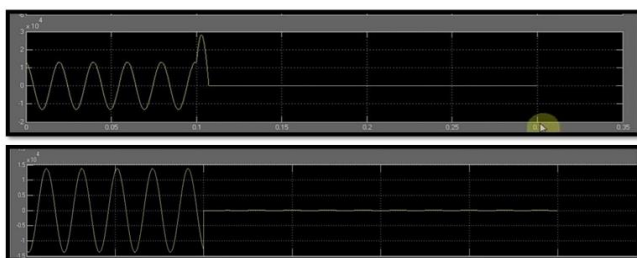


Chart -2 Unbalanced Condition

6. CONCLUSIONS

The research into advanced fault detection techniques for three-phase transmission lines represents a significant stride toward fortifying the reliability and responsiveness of power distribution systems. The outcomes of this study underscore the effectiveness of innovative approaches, such as machine learning algorithms, wavelet transform, and the integration of Phasor Measurement Units (PMUs), in substantially improving fault detection accuracy and response times. Hybrid models, combining multiple advanced techniques, emerge as particularly promising, demonstrating synergistic benefits that outperform traditional methodologies. The real-world applicability of these techniques, as evidenced through case studies, affirms their practical efficacy in diverse operational conditions. The real-time fault analysis project for three-phase transmission systems aims to revolutionize grid reliability by deploying advanced sensor networks, robust data acquisition systems, and sophisticated fault detection algorithms. By detecting, classifying, and mitigating faults in real-time, the project seeks to minimize downtime, enhance grid stability, and improve overall system resilience. Through the integration of automated response mechanisms and rigorous testing, the project endeavors to ensure the accuracy and effectiveness of fault analysis in diverse operating conditions. Ultimately, this initiative represents a pivotal step towards achieving a more reliable and resilient electrical infrastructure capable of meeting the evolving demands of modern society.

REFERENCES

[1] <https://www.electrosal.com/product/three-phase-tranmission-line-fault-detection/>

[2] [https://www.researchgate.net/publication/363503969_ANALYSIS_AND_DETECTION_OF_THREE_PHAS E_TRANSMISSION_LINE_FAULTS_Power_system_protection_Analysis_and_Detection_of_ThreePhase_Tra nsmission_Line_Faults](https://www.researchgate.net/publication/363503969_ANALYSIS_AND_DETECTION_OF_THREE_PHAS_E_TRANSMISSION_LINE_FAULTS_Power_system_protection_Analysis_and_Detection_of_ThreePhase_Tra nsmission_Line_Faults)

[3] <https://forum.arduino.cc/t/fault-detection-system-3-phase-of-transmission-system/1120175>

[4] <https://www.sciencedirect.com/science/article/pii/S0307904X16303018>

[5] <https://www.mathworks.com/matlabcentral/fileexchange/30443-transmission-lines-fault-analysis>

[6] <https://www.tandfonline.com/doi/full/10.1080/15325008.2019.1689456>