

# Improved Boost Converter with Model based MPPT Suitable for Half-Bridge-Based PV Inverter System

VenkateswaraReddy .G<sup>1</sup>, Chandrakala. B<sup>2</sup>

<sup>1</sup> M. Tech scholar, Department of EEE LakkiReddy BaliReddy College of engineering, Vijayawada, India.

<sup>2</sup> Assistant professor, Department of EEE, LakkiReddy BaliReddy College of engineering, Vijayawada, India.

**Abstract:** In this paper a improved boost converter with model based MPPT suitable for half-bridge based PV inverter system is proposed. The high step-up converter not only boosts the relatively low photovoltaic voltage to high bus voltage but also offer a neutral point bus terminal for half -bridge-based inverters. The coupled inductor multiplier reduce the voltage stress on the all power devices as a result the low voltage rated power devices can be employed the reduce the conduction losses. The model based MPPT Technique is starting from set of equations. A modeling of a novel model based MPPT **Technique which doesn't require the direct measurement of solar radiation.**

**Index Terms:**-High step-up converter, couple inductor multiplier, neutral point terminal, model based MPPT.

## I. INTRODUCTION

A renewable energy source involves many aspects like efficiency, reliability, cost and safe connection to the electrical grid. Energy storage and development of advanced control and monitoring algorithms [1]. The common renewable energy sources are photovoltaic (PV), wind energy, hydro electrical energy. Solar power is more attractive due to the several environmental protection regulation and predictable shortage of non renewable energy sources [2-3] as a result, so many research works has address the development and construction of solar power and small size photovoltaic grid connected to the inverter system, which is desired for low power and high efficiency applications.

In low power grid connected photovoltaic systems the transformer less configuration has become a wide spread tendency due to its high efficiency, smaller size and light weight and lower cost compare to the isolated counter parts [4]. In transformer less condition the traditional full bridge inverter with unipolar sinusoidal pulse width modulation is adopted, the common mode ground leakage current may

appear on the stray capacitor between the photovoltaic panel and ground, which brings out the safety issue and reduce the efficiency of the inverter.

Most of the technologies like H5, H6 and HERIC inverters are suppress and eliminate the common mode leakage current caused by stray capacitance between photovoltaic panel and ground. But these inverters contain more switches so increase the conduction losses [5-10].

In fact the half-bridge inverter and neutral point clamped inverter can naturally eliminate the common mode leakage current because the grid neutral line is directly connected to the neutral point of the DC bus [11-12]. More importantly the DC bus voltage of the half-bridge inverters could be twice that of full bridge inverter topologies and the neutral point of the DC bus could be also required. Normal boost converters are not suitable for the high step-up applications because the duty cycle of the normal boost converter with high step-up conversion is very large so in this some drawbacks like narrow turn-off period, large current ripple and high switching losses [13]. In order to achieve large voltage conversion ratio some of the switched capacitor based technologies are there. With these technologies the voltage conversion ratio of the converter is increased and voltage stress of the device are decrease, but it makes the switch suffer high transient current and large conduction losses [14].

It is easier for the isolated converter to achieve an extremely high voltage gain by adjusting the transformer turns ratio can be realized with optimal duty cycle, however one inductor and one transformer must be in this converter, which increase the circuit volume and reduce the power density. In addition the driving circuit and sampling circuit in the isolated converter may increase system complexity, when comparing the non isolated converters. Actually the isolated high step-up conversion can be driven from their isolated counter parts [15-20].

Some high step-up converters with coupled inductor are introduced to achieve a large voltage conversion ratio [21-22] The voltage gain is extended and switch voltage stress is

reduced by the transformer function of the couple inductor. Only one magnetic component is used which reduce the complexity and volume of the converter. However the leakage inductance of the coupled inductor may not only bring about high voltage spikes on the switch when switch is turn-off but also induce large energy losses.

Combination of coupled inductor and switched capacitor concepts to improve a single-phase improved active clamp-coupled inductor based converter with extended voltage doubler cell is proposed [23], but unfortunately this converter can't offer a neutral point terminal for the half-bridge based transformer less inverter.

In this paper an improved single phase high step-up converter with coupled inductor multiplier cell is proposed, this converter naturally create a neutral point terminal and its voltage gain is double then previous converters without increasing the duty cycle, which all the above mention advantages of the converter [23] has in this converter.

A typical solar panel converts only 30 to 40 percent of the incident solar radiation into electricity. The maximum power point tracking technique is used to improve the efficiency of the solar panel. There are different techniques used to track the maximum power point. The choice of the algorithm depends on the time complexity the algorithm takes to track the maximum power point (MPP), implementation cost and the ease of implementation.

Perturb and Observe (P&O) in this the time complexity of this algorithm is very less but on reaching very close to the MPP it doesn't stop at the MPP and keeps on perturbing on both the directions. However the method doesn't take account rapid change of irradiation level, to avoid this problem use incremental conductance method in this eliminate the error due to change in irradiance but increase the complexity.

To automatically find the voltage ( $V_{mpp}$ ) or current ( $I_{mpp}$ ) at which the PV panel should be operate to acquire the maximum power output ( $P_{mpp}$ ) under a given temperature and irradiance. According to some MPPT Techniques, the Perturb& Observe Technique has well control PV output voltage compare with Hill climbing algorithm [24-25]. Each PV panel was connected with the own power electronic circuits hence know as module integrated converters (MIC) controllers, this MIC controllers allows eliminating the hot spots or panel level hot spots thus improving the system reliability [26].

But in this some drawbacks are there. Those are cost is high because of large number of power converters and another low efficiency of module integrated converters w.r.to large converters [27].

The model based MPPT having a quality to be very attractive for module integrated converter (MIC) applications. The model based MPPT is easy to exact model the behavior of

single panel. In this paper can be employ the implementation of a novel model based MPPT , the maximum power point voltage can be estimate from the direct measurement of the radiation and cell temperature, it is derived from the set of equations. In block diagram consisting of the PV panel, high step-up dc-dc converter, half-bridge inverter and model based MPPT technique block as show bellow. In block diagram a neutral point terminal connect to grid negative terminal to PV panel negative terminal

## II.BLOCK DIAGRAM

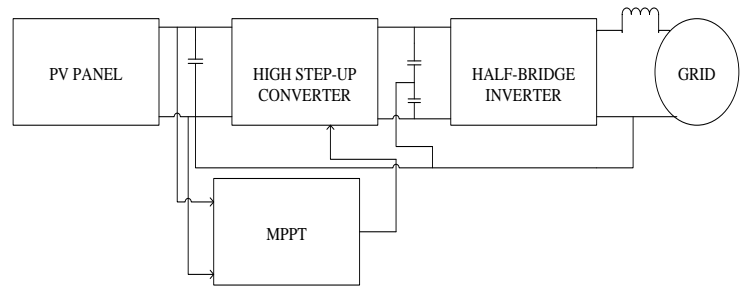
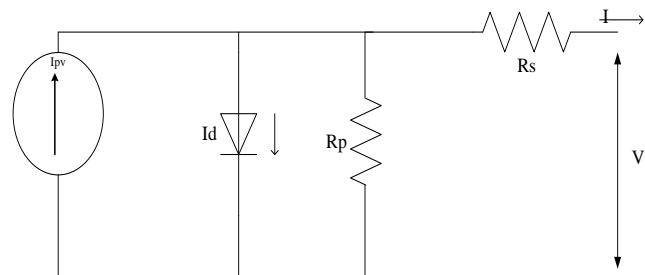


Fig.1 proposed block diagram

### II.A. Modeling of PV Device

In order to study the power electronic converter connected with PV systems one first need know how the model the PV device is affects to the converter, an elements that converts the sunlight into electricity the element device is PV cell, set of PV cells form a PV panel. These panels composed of series cells for large voltages, for large output current then composed in parallel. PV array may be either a panel or set of panels connected in series or parallel to create large PV system. This is the simple PV cell model.



Mathematically describes the I-V characteristics of the ideal PV cell is

$$I = I_{pv\ cell} - I_o\ cell \left[ \exp\left(\frac{qV}{akT}\right) - 1 \right] \quad (1)$$

Where

$I_{pv\ cell}$ —current generated by the incident light

$I_o$ —leakage current/reverse saturation of the diode

$q$ —electron charge ( $1.60217646 \times 10^{-19}$ )

$K$ —Boltzmann constant ( $1.380650 \times 10^{-23}$ )

$a$ —diode constant

$$I = I_{pv\ cell} - I_o \left[ \exp\left(\frac{V+R_s I}{V+a}\right) - 1 \right] - \frac{V+R_s I}{R_p} \quad (2)$$

In this  $I_{pv}$  and  $I_o$  are photovoltaic and saturation currents and  $V_t = \frac{N_s K t}{q}$  --thermal voltage the array with series connected  $N_s$  cells if the cells are connected in parallel the PV and saturation currents may express as

$$I_{pv} = I_{pv\ cell} \cdot N_p \quad (3)$$

$$I_o = I_o\ cell \cdot N_p \quad (4)$$

I-V characteristics of the PV array depend on the internal characteristics of the device ( $R_s, R_p$ ) on the irradiance level and temperature.

$$I_{pv} = (I_{pv}, n + K i \Delta T) \frac{G}{G_n}; \Delta T = T - T_n \quad (5)$$

From this equation the sun light generated current ( $I_{pv}$ ) depends on solar irradiation and also influence by the temperature.  $T_n$  is nominal temperature and  $G$  is the irradiance on the device surface. And diode saturation current  $I_o$  is

$$I_o = \exp\left[\left[\frac{1}{T_n} - \frac{1}{T}\right] \left[\frac{qEg}{ak}\right]\right] \left[\frac{T}{T_n}\right]^3 I_{o,n} \quad (6)$$

Where

$$I_{o,n} = \frac{I_{sc,n}}{\exp\left[\left(\frac{V_{oc,n}}{aV_{tn}}\right) - 1\right]} \quad (7)$$

The value of diode constant “a” may be arbitrarily chosen it usually  $1 \leq a \leq 1.5$ . This value is choosing depends on the other parameters of the I-V model of the panel [28]. This is simplicity of a single diode mode with this method for perfect for power electronic designers who are looking for an easy and effective model for the simulation of photovoltaic devices with power converters.

The combination of the symmetrical and integrated high step-up converters to create a neutral point with high step-up p converter or improved boost converter the improved boost converter circuit diagram and equivalent circuit diagram as show bellow.

### II.B. High Step-Up Converter

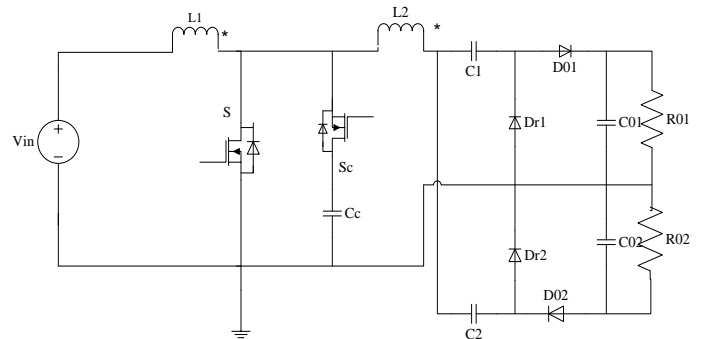


Fig.2 high step-up converter

In this block diagram high step up converter the clamp circuit includes a switch  $S_c$  and a capacitor  $C_c$  switched capacitors  $C_1$  &  $C_2$ , regenerative diodes  $D_1$  &  $D_2$ ,  $L_1$  inductor is coupling with  $L_2$  inductor .the coupling is indicated as \* and the turns ratio is  $N = \frac{n_1}{n_2}$  the output load can be divide into two equal parts the voltage at  $R_{01}$  is  $V_1$  similarly voltage at  $R_{02}$  is  $V_2$ .equalent circuit of the high step-up converter is

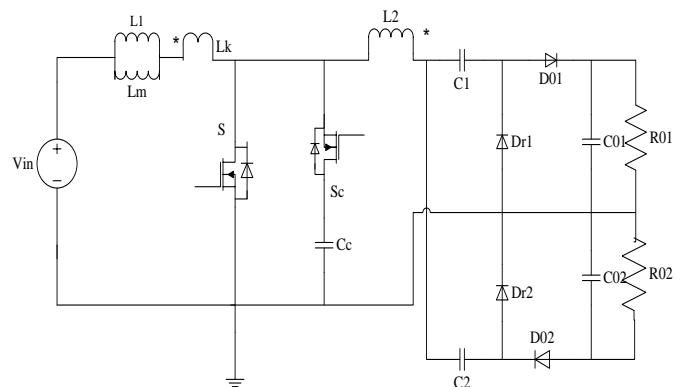


Fig.3 Equivalent circuit of high step-up converter

By combing and integrating two symmetric converters where single phase converters in the bus voltage doubler extended cell, this high step-up converter can be derived without adding the power switches and magnetic components . The coupled inductor can be considered as an ideal transformer a parallel magnetizing inductance and series leakage inductance [29]  $L_1$  and  $L_2$  represent primary and secondary windings of the transformer,  $C_s$  is the parasitic capacitance of the terminal and clamping switch.

**VOLTAGE STRESS ANALYSIS:-**

By ignoring the voltage ripple on the clamp capacitor the voltage stress of the main switch can be derived as follows

$$V_{c1} = NV_{in} \tag{8}$$

$$V_{Lm,discharge} = V_{Cc} - V_{in} = \frac{V_{out1}}{N+1} - V_{in} \tag{9}$$

$$M = \frac{V_{out}}{V_{in}} = \frac{V_{out1} + V_{out2}}{V_{in}} = 2 \frac{1+N}{1-D} \tag{10}$$

Voltage stress on switch is

$$\frac{V_{out}}{N+1} = \frac{0.5V_{out}}{N+1} = \frac{V_{in}}{1-D} \tag{11}$$

From (11) voltage stress on the main switch is equal to the clamp switch, it represent voltage stress of the main switch decrease when turns ratio increase, the voltage stress of the output diodes and regenerative diodes are equal to half of the input voltage.

$$V_{D01} = V_{D02} = V_{Dr1} = V_{Dr2} = 0.5V_{out} \tag{12}$$

**CURRENT STRESS ANALYSIS:-**

The peak current of the output diode  $D_{01}$  and regenerative diode  $D_{r2}$  is given by

$$I_{D01-peak} = I_{Dr2-peak} = \frac{2I_{out}}{1-D} \tag{13}$$

The peak current of the output diode  $D_{02}$  and regenerative diode  $D_{r1}$  is obtained by

$$I_{D02-peak} = I_{Dr1-peak} = \frac{2I_{out}}{D} \tag{14}$$

Due to the ampere-second balance principal on the capacitor  $C_1$  and  $C_2$  is can be derived that that both of the average current through the primary and secondary windings of  $L_1$  and  $L_2$  is zero. For the present current ripple through a magnetized inductance is neglected it can be concluded that a average current through the magnetizing inductance  $L_m = I_{in}$  so the peak current of the main switch is given by

$$I_{stress-S} = 2I_{D02-peak}N + I_{in} + 2I_{D02-peak} \tag{15}$$

When power loss neglected, the peak current of the main switch is

$$I_{stress-S} = \frac{2I_{out}(2+2N-D-ND)}{D(1-D)} \tag{16}$$

$$I_{clamp-S} = \frac{2I_{out}(1+N)}{1-D} \tag{17}$$

The high step-up converter can be derived without any extra active switches and magnetic components. It is automatically create by combing the two integrated symmetrical converter and also automatically create a neutral point terminal naturally.

**III. CONTROL TECHNIQUE**

The novel model based MPPT technique which doesn't require the direct measurement of the solar radiation and this model based MPPT offer a better dynamic performance, in this starting from a new set of equations modeling of the model based MPPT technique, the measuring the temperature  $T_p$  of a point as possible as close to the cells. In particular it is much less affected by the wind speed and thermal transients.

The coefficient  $K_{\Delta T}$  can be introduced to write down the following equation

$$T_c = T_p + K_{\Delta T}G \tag{18}$$

When the temperature radiance level is very high  $K_{\Delta T}$  is very small. This equation set of a relationship among the  $T_c$ , the solar radiation and temperature of rear surface in the panel. These mean parameters of the model can be considered as function of solar radiation  $G$  and of  $T_p$  which can easily measured

$$V_T(G, T_p) = K_{T1}T_p + K_{T2}G \tag{19}$$

$$I_{sc}(G, T_p) = G(K_{sc1} + K_{sc2}T_p) \tag{20}$$

$$V_{ref}(I, G, T_p) = \frac{dV}{dI}I = \frac{V_T(G, T_p)I}{I_{sc}(G, T_p)I} + R_sI \tag{21}$$

Substitute equations (19) and (20) in (21) we get

$$V_{ref}(I, G, T_p) = \frac{dV}{dI}I = \frac{(K_{T1}T_p + K_{T2}G)I}{G(K_{sc1} + K_{sc2}T_p)I} + R_sI \tag{22}$$

This equation has a unique solution in the operating voltage current range of panel therefore there is a single equilibrium point, the inverse model can't be obtaining a closed form therefore the light radiation intensity has to be estimated using a numerical procedure [30]

$$V(I, G, T_p) \rightarrow G_{est}(V, I, T_p) \dots\dots\dots \tag{23}$$

$$G_{est}(V, I, T_p) \cong \frac{I}{K_{sc1} + K_{sc2}T_p} + e^{\frac{V + R_sI - K_{oc1} - K_{oc2}T_p}{K_{oc4}T_p}} \dots \tag{24}$$

By neglect the temperature difference between frame and PV panel leads to in accurate results in the prediction of V-I characteristics especially for open circuit. The cells are employed as solar radiation sensors; just the effective solar radiation that contributes to the energy conversion is measured. So the panel operates so as it were clean, but with lower irradiance level.

$K_{sc1}$	2.263mA $m^2/W$
$K_{sc2}$	9.603 $\mu$ A $Km^2/W$
$K_{oc1}$	80.65V
$K_{oc2}$	-169.9mV/K
$K_{oc3}$	-869.5 $\mu$ V $m^2/W$
$K_{oc4}$	6.597mV/K
$K_{T1}$	7.032mV/K
$K_{T2}$	216.6 $\mu$ V $m^2/W$

#### IV.SIMULATION RESULTS

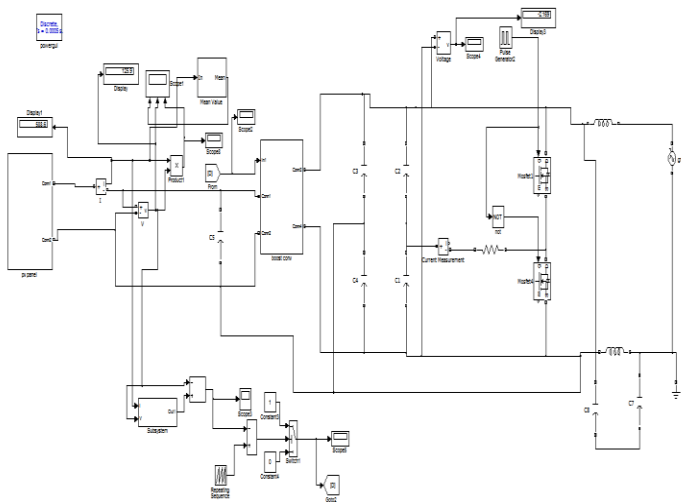


Fig.4 SIMULINK model of proposed system

This is the proposed topology model of proposed model input of the high step-up converter connecting with half bridge inverter with model based MPPT technique is developed by the MATLAB/SIMULINK.

Input voltage of converter	130.6V
C1	1.05 $\mu$ F
C2	1.05 $\mu$ F

Cr1	1.05 $\mu$ F
Cr2	1.05 $\mu$ F
L1	32mH
L2	1mH
Cc	0.15mF
Vout1	504V
Vout2	495V
Inverter output	455V

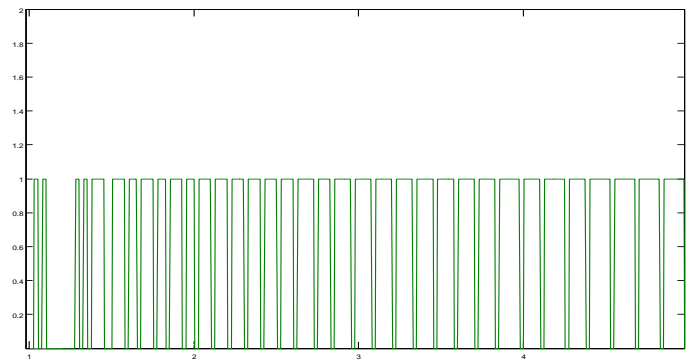


Fig.5 pulse from MPPT to give a high step-up converter

The model based MPPT technique is the surface temperature ( $T_p$ ) is taken 320k it is applied to gate pulse of the boost converter.

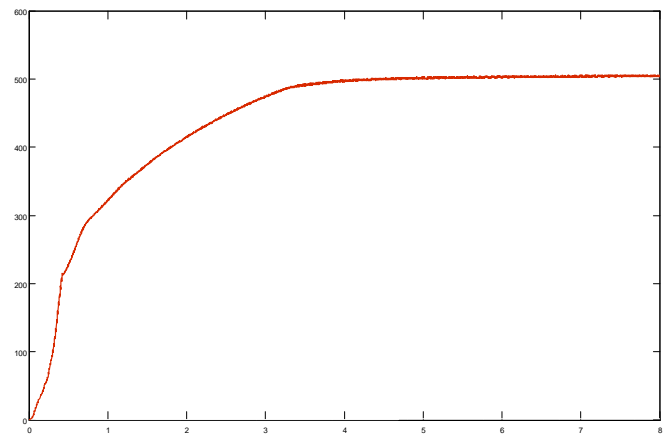


Fig.6 high step-up converter output voltage (Vout1)

The high step up converter with coupled inductor multiplier is naturally creating a neutral point terminal it divides the

output. The simulation output wave form is the half of the output voltage of the high step up converter input voltage from the panel is 130V and half of the boost converter output is 504V

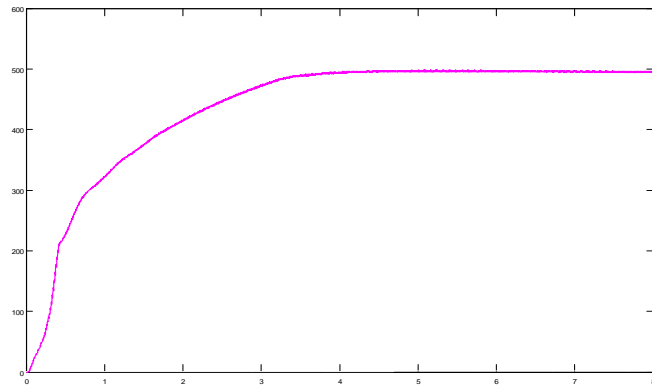


Fig.7 high step-up converter output voltage (Vout2)

This simulation output voltage waveform is another half of the output voltage taken at the high step-up converter Vout2.is equal to 495.1V

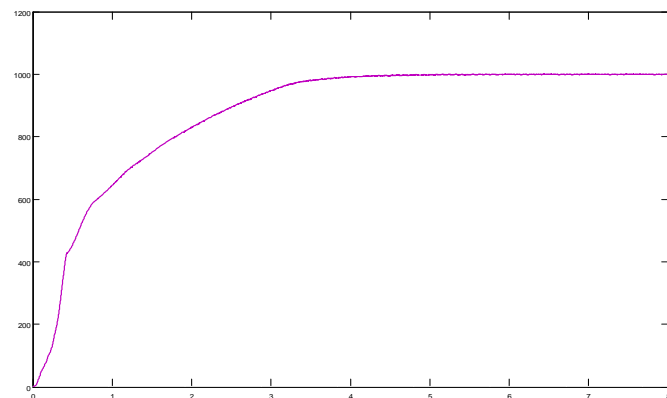


Fig.8 half bridge inverter input voltage

The high step-up converter output is connected with the input of the half bridge inverter its total voltage is combination of the two output voltages of the high step up converter is 1000V

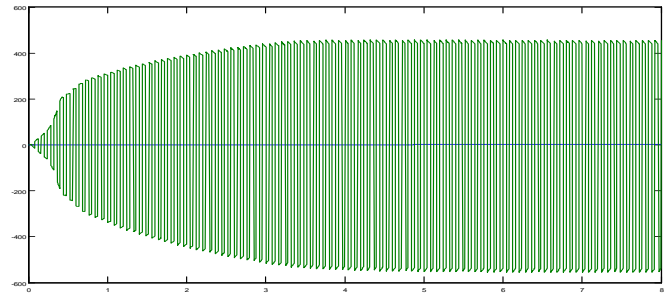


Fig.9 half bridge inverter output voltage

The half-bridge inverter output voltage is half of the output voltage when the switch S1 is on takes a positive half cycle. When the switch S2 is on negative half cycle voltage obtained the output voltage is 455V

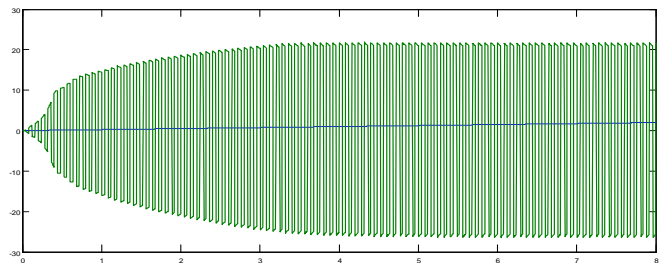


Fig.10 half bridge inverter output current

This simulation of output current wave form is taken from the general load of half bridge inverter its current is depend on the load conditions is 23A

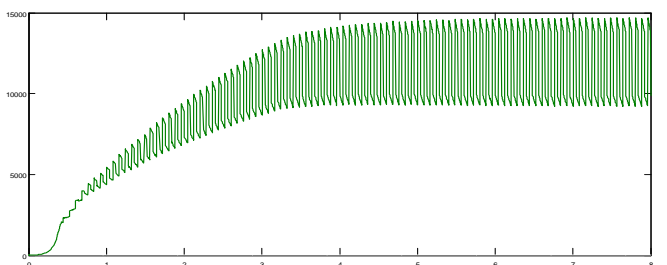


Fig.11 half bridge inverter out power

The simulation result is the product of the output current and output voltage to gain the output power of the half bridge inverter.

## V.CONCLUSION

In the proposed system the high step-up converter is naturally create a neutral point for half bridge inverter, the high step-up converter is not only increase the voltage it relatively low PV voltage to high bus terminal voltage without addition of the extra active switches and magnetic components. And also the main advantages by combination of the two integrated high step-up converters to create a neutral point terminal, which meets the input voltage of the half bridge inverter, the coupled inductor multiplier in the converter is extended the voltage gain and reduce the voltage stress on the switches and also improve the efficiency, the model base MPPT technique can be used to how to avoid a direct measurement of the cell temperature ,furthermore the model based MPPT can also estimate the solar radiation with an adequate accuracy. This aspect increases the robustness, thus making the method competitive w.r.to other systems

## REFERENCES

- [1]. M. Liserre, T. Sauter, and J. Y. Hung, "Future energy systems: Integrating renewable energy sources into the smart power grid through industrial electronics," *IEEE Ind. Electron. Mag.*, vol. 4, no. 1, pp. 18–37, Mar.2010.
- [2]. M. Rogol, S. Doi, and A. Wilkinson, "Sun screen: Investment opportunities in solar power," *Solar Power Sector Outlook*, Jul. 7, 2004, CLSA Asia-Pacific Markets.
- [3]. German Advisory Council on Global Change, 2003.
- [4]. S V. Araujo, P. Zacharias, and R. Mallwitz, "Highly efficient single-phase transformer less inverters for grid-connected photovoltaic systems," *IEEE Trans. Ind. Electron.*, vol. 57, no. 9, pp. 3118–3128, Sep. 2010.
- [5]. German Patent H5-Topology: , DE 102004030912 B3, Jan. 2006.
- [6]. German Patent HERIC-Topology: , DE 10221592 A1, Apr. 2003.
- [7]. W. Yu, J.-S. Lai, H. Qian, C. Hutchens, J. Zhang, G. Lisi, A. Djabbari, G. Smith, and T. Hegarty, "High-efficiency inverter with H6-type configuration for photovoltaic non-isolated ac module applications," in *Proc. IEEE Appl. Power Electron. Conf.*, 2010, pp. 1056–1061.
- [8]. Y. Gu,W. Li, Y. Zhao, B. Yang, C. Li, and X. He, "Transformerless inverter with virtual DC bus concept for cost effective grid-connected PV power systems," *IEEE Trans. Power Electron.*, vol. 28, no. 2, pp. 793–804, Feb. 2013.
- [9]. B. Yang, W. Li, Y. Gu, W. Cui, and X. He, "Improved transformerless inverter with common-mode leakage current elimination for a photovoltaic grid-connected power system," *IEEE Trans. PowerElectron.*, vol. 27, no. 2, pp. 752–762, Feb 2012.
- [10]. G. Roberto, L. Jesus, S. Pablo, G. Eugenio, U. Alfredo,& M. Luis,"High-efficiency transformerless single-phase photovoltaic inverter," in *Proc. IEEE EPE-PEMC*, 2006, pp. 1895–1900.
- [11]. R. Gonzalez, E. Gubia, J. Lopez, and L. Marroyo, "Transformerless singlephase multilevel-based photovoltaic inverter," *IEEE Trans. Ind. Electron.*, vol. 55, no. 7, pp. 2694–2702, Jul. 2008.
- [12]. H. Xiao and S. Xie, "Transformerless split-inductor neutral point clamped three-level PV grid-connected inverter," *IEEE Trans. Power Electron.*, vol. 27, no. 4, pp. 1799–1808, Apr. 2012.
- [13]. R. W. Erickson and D. Maksimovic, *Fundamentals of power electronics*, 2nd ed. Norwell, MA: Kluwer, 2001.
- [14]. O. Abutbul, A. Gherlitz, Y. Berkovich, and A. Ioinovici, "Step-upswitching-mode converter with high voltage gain using a switchedcapacitor circuit," *IEEE Trans. Circuits Syst. I*, vol. 50, no. 8, pp. 1098–1102, Aug. 2003.
- [15]. W. Li, L. Fan, Y. Zhao, X. He, D. Xu, and B.Wu, "High step-up and high efficiency fuel cell power generation system with active clamp flybackforward converter," *IEEE Trans. Ind. Electron.*, vol. 59, no. 1, pp. 599–610, Jan. 2012.
- [16]. Y. Zhao, X. Xiang, W. Li, X. He, and C. Xia, "Advanced symmetrical voltage quadrupler rectifiers for high step-up and high output-voltage converters," *IEEE Trans. Power Electron.*, vol. 28, no. 4, pp. 1622–1631, 2013.
- [17]. Y. Deng, Q. Rong, W. Li, Y. Zhao, J. Shi, and X. He, "Single switch high step-up converters with built-in transformer voltage multiplier cell," *IEEE Trans. Power Electron.*, vol. 27, no. 8, pp. 3557–3567, Aug. 2012.
- [18]. S. V. Araujo, R. P. Torrico-Bascope, and J. V. Torrico-Bascope, "Highly efficient high step-up converter for fuel-cell power processing based on three-state commutation cell," *IEEE Trans. Ind. Electron.*, vol. 57, no. 6, pp. 1987–1997, Jun. 2010.
- [19]. G. A. L. Henn, R. N. A. Silva, P. P. Praca, L. H. S. Barreto, and D. S. Oliveira, "Interleaved-boost converter with high voltage gain," *IEEE Trans. Power Electron.*, vol. 25, no. 11, pp. 2753–2761, Jan. 2010.
- [20]. W. Li, Y. Zhao, Y. Deng, and X. He, "Interleaved converter with voltage multiplier cell for high step-up and high efficiency conversion," *IEEE Trans. Power Electron.*, vol. 25, no. 9, pp. 2397–2408, Sep. 2010.
- [21]. K.-B. Park, G.-W. Moon, andM.-J.Youn, "Nonisolated high step-up boost converter integrated with sepic converter," *IEEE Trans. Power Electron.*, vol. 25, no. 9, pp. 2266–2275, Sep. 2010.

- [22]. K.-B. Park, G.-W. Moon, and M.-J. Youn, "High step-up boost converter integrated with a transformer-assisted auxiliary circuit employing quasiresonant operation," *IEEE Trans. Power Electron.*, vol. 27, no. 4, pp. 1974–1984, Apr. 2012.
- [23]. Y. Zhao, W. Li, and X. He, "Single-phase improved active clamp coupled inductor-based converter with extended voltage doubler cell," *IEEE Trans. Power Electron.*, vol. 27, no. 6, pp. 2869–2878, Jun. 2012.
- [24]. Fangrul cil; coll of electric & electronic engg; hauh zharguniversity of S & Twuhan; young kong; yuzharg; shanxuduan "comparison of P & O and hill climbing MPPT method for grid connected PV inverters.
- [25]. Ting-chung yu, yu changlin dept of electric engg l unghwa univ of science & research "A study of MPPT algorithms for PV system .
- [26]. Z. Liang, R. Guo, J. Li and A.Q. Huang, "A high efficiency PV module-integrated DC/DC converter for PV energy harvest in FREEDM systems" *IEEE Trans. Power Electron.*, vol.26,no.3, pp.897-909, mar-2011.
- [27]. Marcelo Gradella Villalva, Jonas Rafael Gazoli, and Ernesto Ruppert Filho "Comprehensive Approach to Modeling and Simulation of Photovoltaic Arrays" *IEEE transactions on power electronics*, vol. 24, no. 5, may 2009
- [28]. Q. Zhao and F. C. Lee, "High-efficiency, high step-up DC-DC converters," *IEEE Trans. Power Electron.*, vol. 18, no. 1, pp. 65–73, Jan. 2003.
- [29]. J.-H. Lee, J.-H. Park, and J. H. Jeon, "Series-connected forward-flyback converter for high step-up power conversion," *IEEE Trans. Power Electron.*, vol. 26, no. 12, Dec. 2011.
- [30]. Loredana Cristaldi; Marco Rossi. "An improved model-based MPPT for photovoltaic panels" *IEEE transactions on instrumentation and measurement*, vol.63, no.1, jan-2014



and drives and renewable energy power conversion systems.

Venkateswara Reddy.G received the B.Tech degree in electrical and electronic engineering from Jawaharlal Nehru technological university Kakinada, India in 2012. And he is currently working a post graduate fellow in the Lakkireddy balireddy college of engineering, India, his research interests include power electronics



in sri sai institute of technology & science, India. She currently working as assistant professor in lakkireddy balireddy college of engineering from 2011. She has published a 4 peer reviewed technical papers. Her research interests in power electronics and drives and renewable energy systems.

Chandrakala.Batti received the B. Tech degree in electrical and electronics engineering from JawaharlalNehru technological university Hyderabad in 2007. And she received the M. Tech degree in power electronics from Jawaharlal Nehru technological university Anatnapur in 2011. From 2007 to 2008 she was an assistant professor